

Mid Infrared Photodiodes

NEW

SERIES 9IR

Infrared Photodetectors for 1-2.4 μ m

Centronic series 9IR photodiodes offer high sensitivity in the mid infrared. They are fabricated using GaAlAsSb/GaInAsSb heterostructures and are particularly well suited to applications in the 1.8-2.3 μ m range.

Packaging options include standard TO housings with or without thermoelectric cooling as well as chip on board.



Applications

- * Gas sensing
- * Optical pyrometry
- * Flame measurement
- * Eyesafe designator detection
- * Impurity detection
- * Radiometry

General ratings/Absolute maximum ratings

	Min	Max
Operating Temperature Range	-240°C	100°C

Typical Characteristics (measured at 300K ambient)

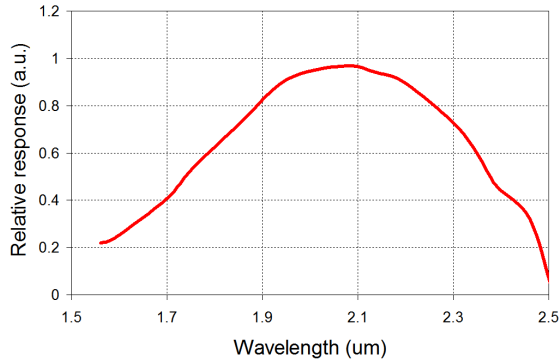
Type No.	Active Area		Spectral response		Capacitance V _r = 10mV (pF)	Resistance at -10mV (k Ω)	Maximum reverse voltage (k Ω)	Package Type (ref)
	mm ²	\varnothing mm	Range (μ m)	Peak (μ m)				
OSD0.07-9IR	0.07	0.3	1.0–2.4	1.8–2.3	400	6.8	6.8	TO18 (2)
OSD0.07-9IR TC	0.07	0.3	1.0–2.4	1.8–2.3	450	6.1	6.1	TO5 (9*)
OSD0.19-9IR	0.19	0.5	1.0–2.4	1.8–2.3	800	2.5	2.5	TO18 (2)
OSD0.19-9IR TC	0.19	0.5	1.0–2.4	1.8–2.3	850	2.4	2.4	TO5 (9*)
OSD0.8-9IR	0.8	1	1.0–2.4	1.8–2.3	1600	2.4	2.4	TO18 (2)
OSD0.8-9IR TC	0.8	1	1.0–2.4	1.8–2.3	1700	1.9	1.9	TO5 (9*)
OSD3-9IR	2	2	1.0–2.4	1.8–2.3	6500	0.9	0.9	TO5 (9)

* indicates thermoelectric cooler

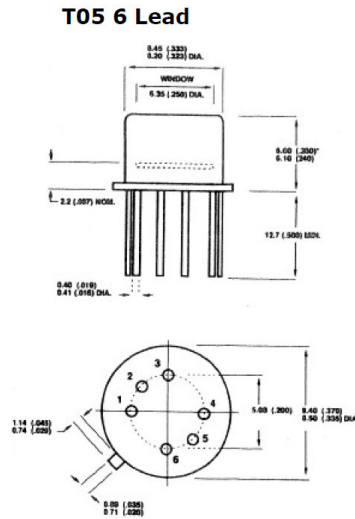
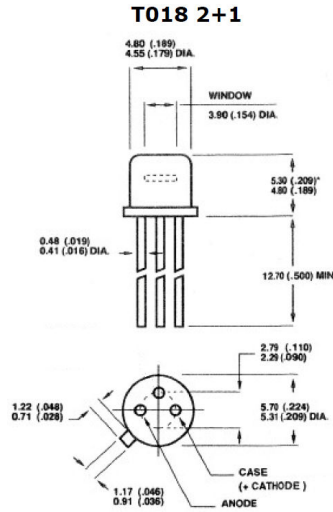
Mid Infrared Photodiodes

SERIES 9IR

Relative spectral response



Packages



Dimensions: mm (inches)



Due to our policy of continued development, specifications are subject to change without notice.

CENTRONIC LTD
King Henry's Drive
Croydon
Surrey
CR9 0BG
United Kingdom

Telephone: +44 (0) 1689 808055
Email: eosales@centronic.co.uk
Facsimile: +44 (0) 1689 845117
Web: www.centronic.co.uk

CENTRONIC LLC
16203 Park Row
Suite 110
Houston
TX 777084
United States

Telephone: +1 (281) 578 7900
Email: info@centronic.us
Web: www.centronic.us



FM25100



EMS68441