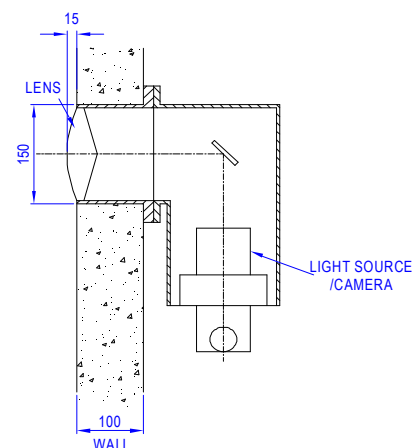
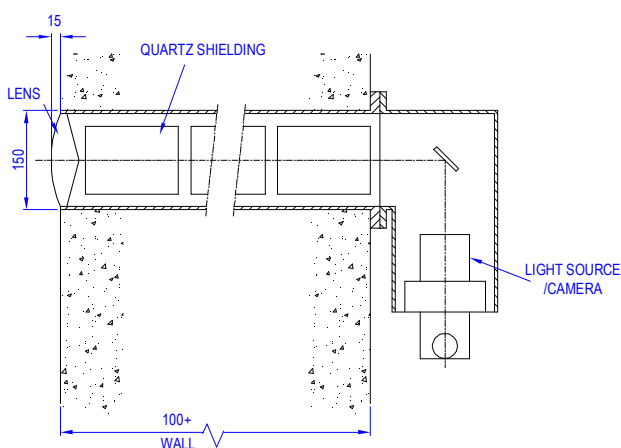


CR2228 Radiation Tolerant Wide Angle Viewing System



The CR2228 camera is an ultra-wide radiation tolerant viewing system which enable the operator to view up, down and sideways with a 180° angle of vision from a single safe view port position with full colour images. Additionally, it is possible to record the whole or any part of an enclosed area as well as zoom the view anywhere within the 180° angle of vision. The system is constructed from radiation tolerant materials and fits standard 6 inch viewing ports.

All moving and mechanical or electronic parts are situated outside the radioactive zone for ease of maintenance and the relay system, which can be either long or short for different thickness walls, has built in shielding. The static front element projects only 15mm in to the contaminated area. The image is full colour and in real time and can be used to view and collect archive images of close up detail or the entire scene.



CR2228 Technical Specification

Parameter	Specification
Video Signal	Composite to EIA (NTSC) or CCIR (PAL)
Sensitivity	3 lux
Image Format	1/3 inch colour or black and white
Resolution (limiting)	700 TV lines per picture height (dependant on camera fitted).
Viewing Angles	180° to 20° or 90° to 10° with 8:1 zoom ratio
Camera Housing	Through wall module stainless steel Cold side aluminium
Dimensions and Weight of Camera:	Dependant on length (wall thickness)
Environmental	Max Operating temperature: 0 - 50°C Standard IP54, IP67 and IP68 versions available
Power Supply	12v D.C.

Key Features

- Angle of vision = 180°
- Enhance view anywhere in the 180° arc of vision
- Static fused quartz front element
- Fits standard 6" viewing ports
- No moving mechanical or electronic parts in contaminated area
- All radiation tolerant materials
- Long or short systems for thick or thin walls
- All radiation tolerant materials
- Inbuilt radiation shielding
- View, record and save quality images
- Instant images in real time
- Enables use of colour CCD cameras

Due to our policy of continual improvement Centronic Ltd reserves the right to change specification without notification

Centronic Ltd,
King Henry's Drive, Croydon,
Surrey CR9 0BG, United Kingdom

Telephone: +44 (0) 1689 808032
Facsimile: +44 (0) 1689 845117
Email: info@centronic.co.uk

